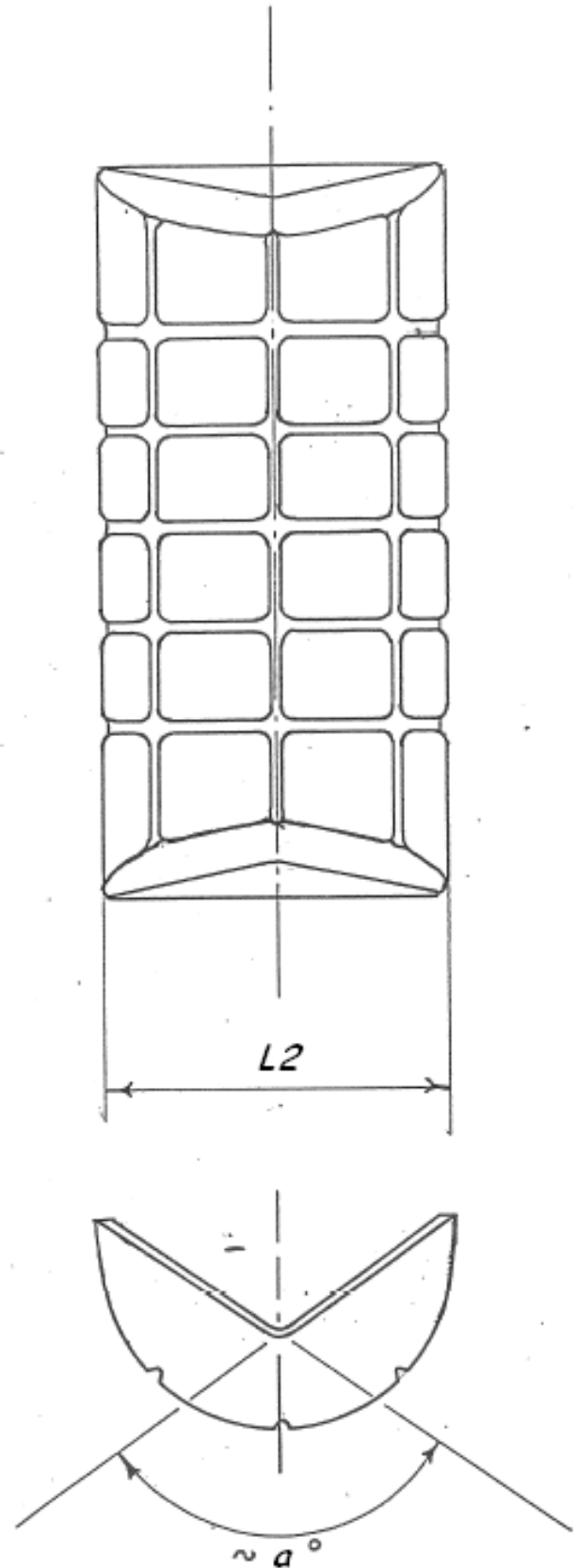
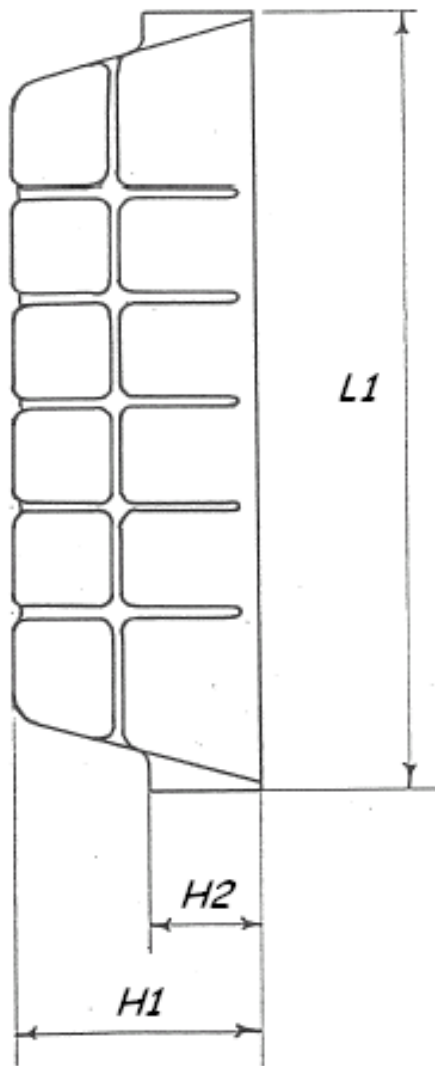


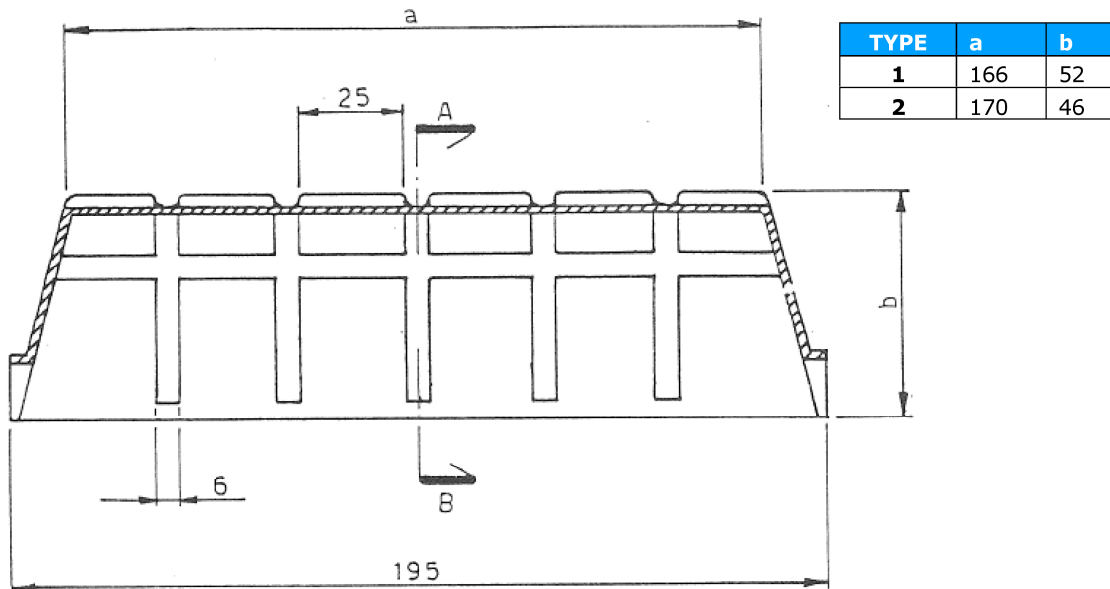
# Calotta Isolante e Mastice Kitt-s



## Description and characteristics

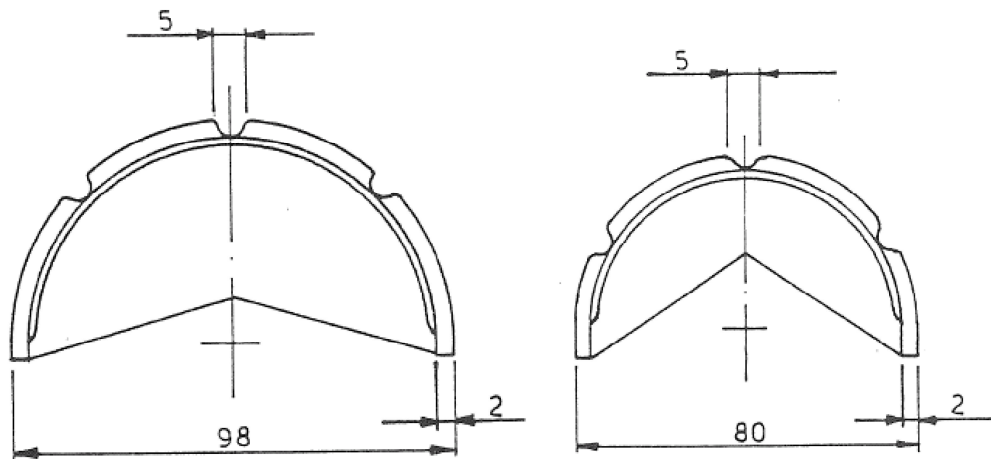
The calottes in TCK polystyrene to insulate the electric connections are used together with KITT-S mastic for the coating and insulation of cathodic protection systems on pipelines.

### Dimensions:



**TYPE 1 (RED)**  
Sect. A-B P-9687-001

**TYPE 2 (GREEN)**  
Sect. A-B P-9687-002



**Material:** TCK Polystyrene

**Application:** Type 1 for pipes with DN >150 mm (6")  
Type 2 for pipes with 80 mm (3") ≤ DN ≤ 150 mm (6")

**References:** SNAM technical specification GASD A 7.03.02

### Average consumption KITT-S mastic:

Type 1: 1 Kg  
Type 2: 0.7 Kg

## Application



Remove the external coating on the pipe to reach the metal surface.



By welding realize the electric connection for the anti corrosion protection



Filling of calotte by KITT-S mastic.



Cover all the connecting zone with KITT-S mastic



Cover the free zone by the calotte



Put mastic KITT-S all round the system.



Complete sealing.



Mechanic block of insulating calotte and cable by plastic straps.



Final check of insulation by holiday detector.



## Description

KITT-S is a paste, sealant mastic always soft with poly-isobutene base, suitable for sealing of different materials such as cement, concrete, metal, glass, etc.

KITT-S assures a good sealing for water, air and gas.

## Characteristics

<b>Base</b>	synthetic polymers, plastificanti e cariche minerali	
<b>Colour</b>	Anthracite grey	
<b>Aspect</b>	paste	
<b>Penetration at 20°C</b>	220 ÷ 250 dmm	1*
<b>Specific gravity</b>	1,41 ÷ 1,50 g/cm <sup>3</sup>	2*
<b>Application temperature</b>	+10°C ÷ +35°C	3*
<b>Dry residual</b>	>99,5 %	4*
<b>Flow resistance at 90°C</b>	Do not flow	5*

1\* rif. ASTM D217-94

2\* rif. ASTM D1475-90)

3\* if application is made at lower temperature, we suggest pre-heating.

4\* rif. ASTM D2369-95

5\* rif. Internal specification

## Application and use

The mastic is applied by extrusion guns or by pneumatic devices mounted on drums.

Before applying make sure that surfaces are cleaned, dry and oil free.

## Packaging

KITT-S is supplied in 10 Kg tin, on demand in drums.

## Stocking and life time

KITT-S stocked in his original packaging, in a dry and aisy place, at temperatures between +5°C and +35°C as a lifetime of 12 months after date of production.

## NOTES

*These information and our technical suggestions (oral or written or experimental type), especially those concerning application and use of our products are in function of our experience and know how, without giving a guarantee for final results or responsibility.*

*Due to the several type of materials, of supports, of conditions of handling and storage, and obviously of conditions of production and use, all the information and suggestions a.m. have to be verified by user considering the real conditions of use.*